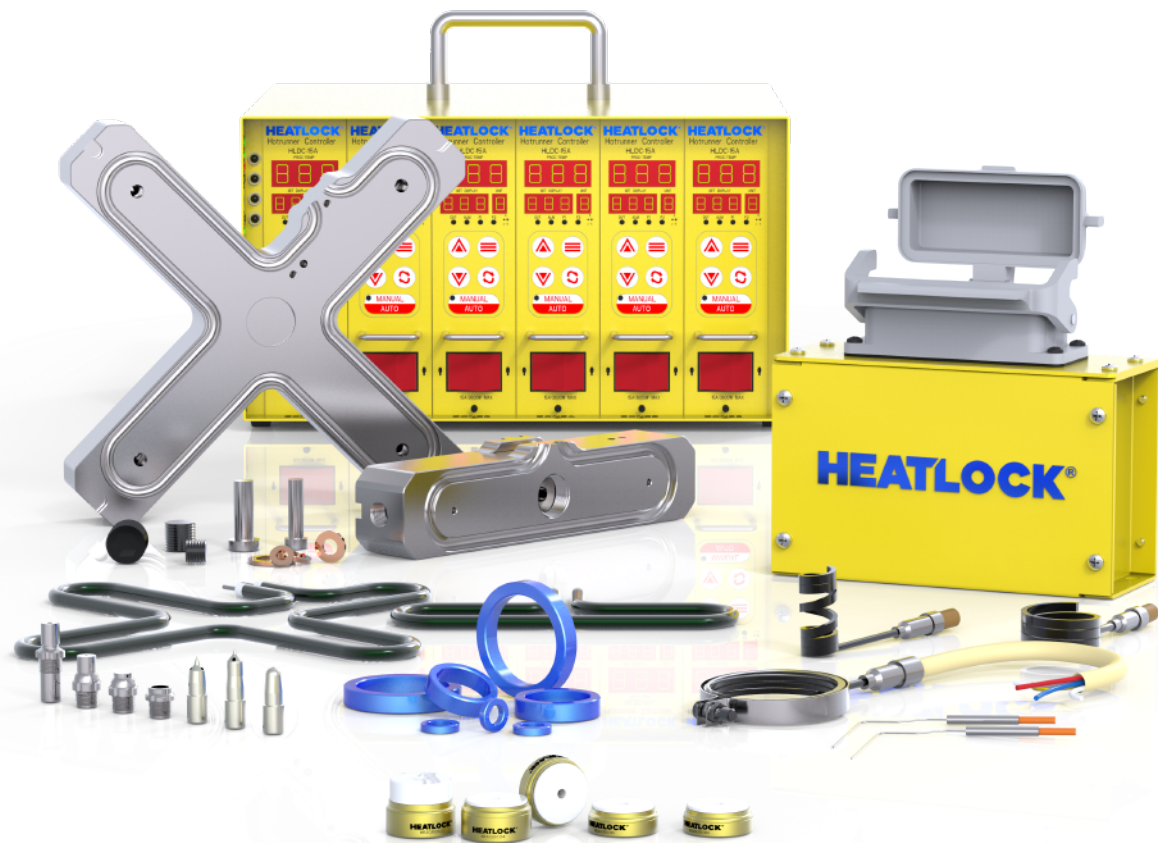


HEATLOCK®

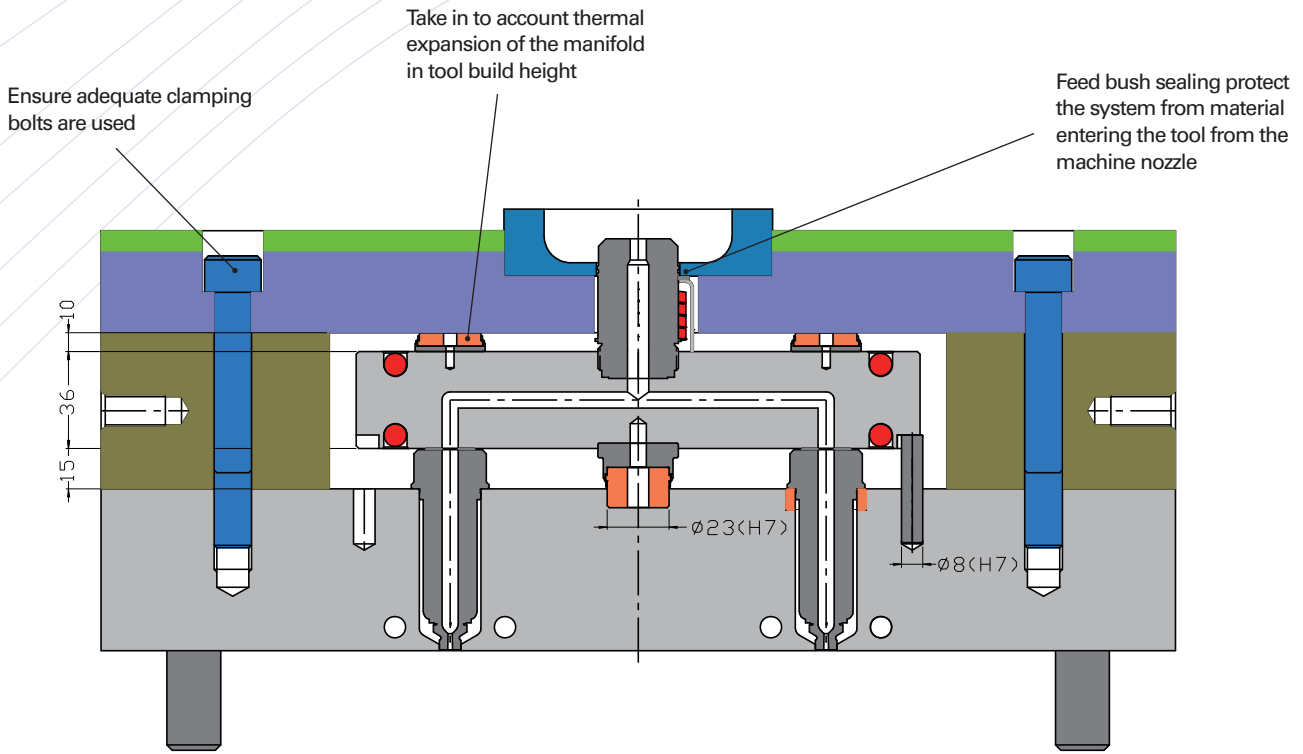
YOUR GLOBAL HOT-RUNNER SOLUTION



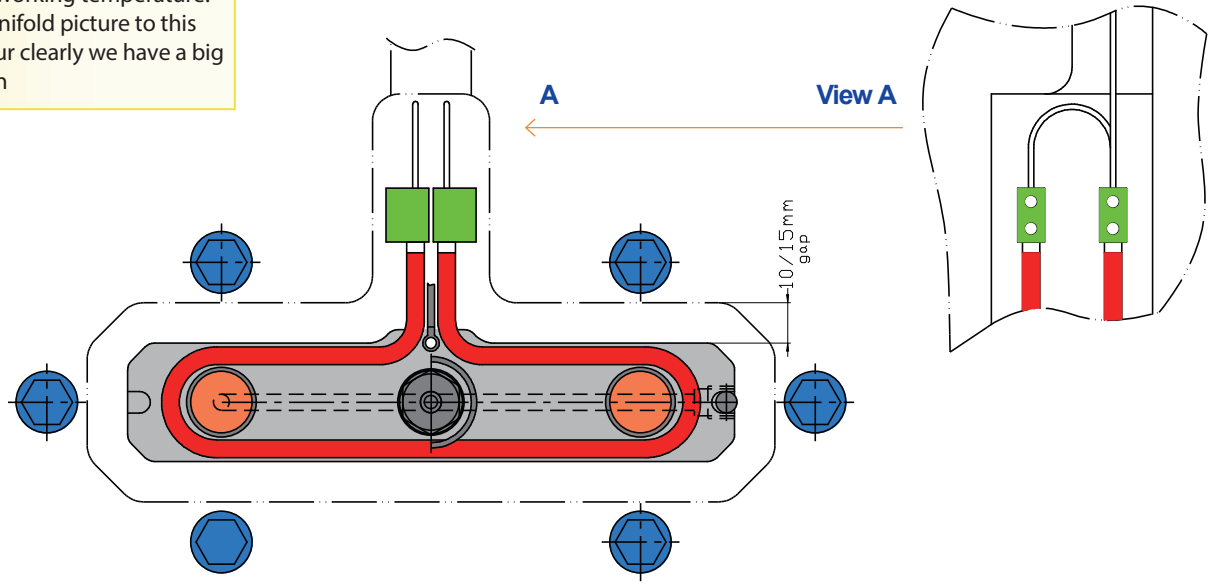
Spare Part EN

www.heatlock.com

Assembly example

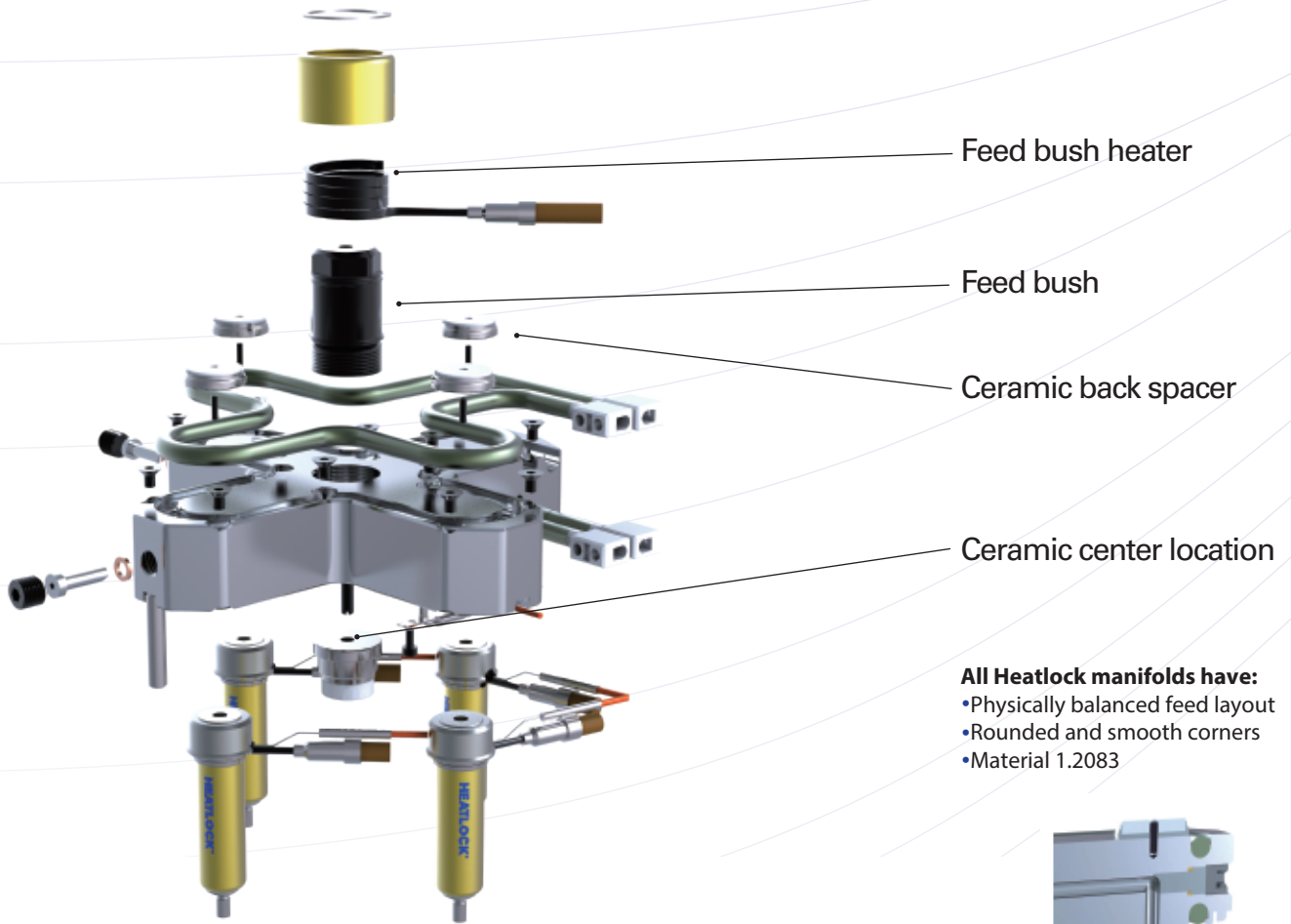


PLEASE NOTE:
 The ceramic back support is delivered with nominal dimension 7 +0,02 and 10+0.02 and 14 +0,02.
 This is to be grind to dimension specified on our GA drwg to give correct air gap in cold Condition, to ensure sealing of hot runner system in working temperature.
 General add a manifold picture to this spread to show our clearly we have a big manifold selection



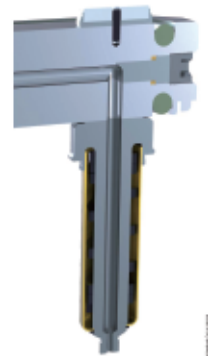
Heat expansion	$\Delta T = 120^{\circ}\text{C}$	$\Delta T = 140^{\circ}\text{C}$	$\Delta T = 180^{\circ}\text{C}$	$\Delta T = 200^{\circ}\text{C}$	$\Delta T = 220^{\circ}\text{C}$
Manifold thickness 36	0,05	0,06	0,08	0,09	0,10

A1 Manifold



All Heatlock manifolds have:

- Physically balanced feed layout
- Rounded and smooth corners
- Material 1.2083



Heatlock was 1982 the first Hot Runner supplier to introduce ceramic insulation as standard feature. You have Up to 300 standard manifolds to choose from.

Standard manifolds:

- Manifold shape I,X,H,XX
- Thickness 36,46,and 56mm
- Flow channel diameter 6-16mm

All standard manifolds system are delivered within 2-3 weeks.

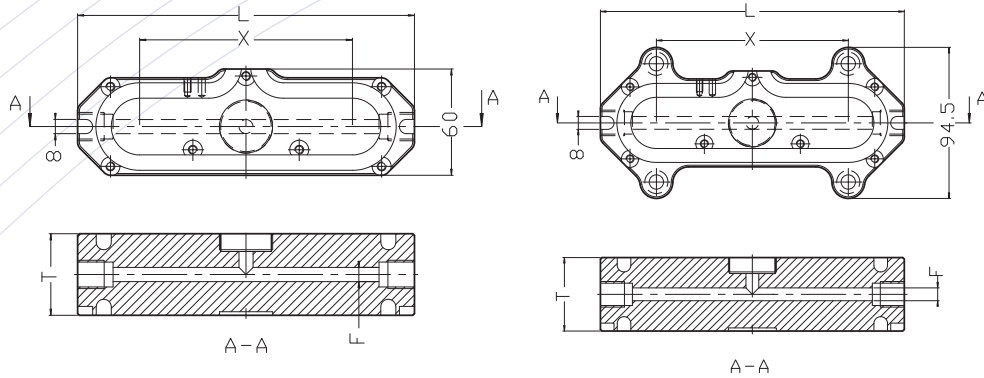
All finished to your requirements making your needs our "standard". Making manifold design not more difficult than designing the pillars And bushes into a mold.

In case any of our standard options does not suit do we make custom Made manifolds within 2-3 weeks.



A1 Manifold I&H type

I-type

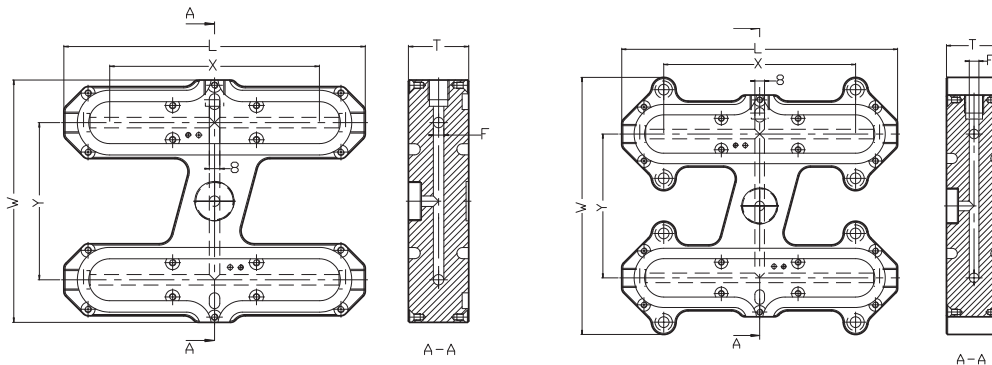


Material :420H

(mm)

Part No.	T	F (ø)	L=130 X	L=150 X	L=170 X	L=190 X	L=210 X	L=230 X	L=250 X	L=270 X	L=290 X	L=310 X	L=330 X	L=350 X	L=370 X
MIO/3606	36	6	60	80	100	120	140	160		200		240		280	
MIO/4608	46	8	60	80	100	120	140	160		200		240		280	
MIO/4610	46	10	60	80	100	120	140	160		200		240		280	
MIO/5612	56	12			80	100	120	140	160		200		240		280
MIO/5614	56	14			80	100	120	140	160		200		240		280
MIO/5616	56	16			80	100	120	140	160		200		240		280

H-type



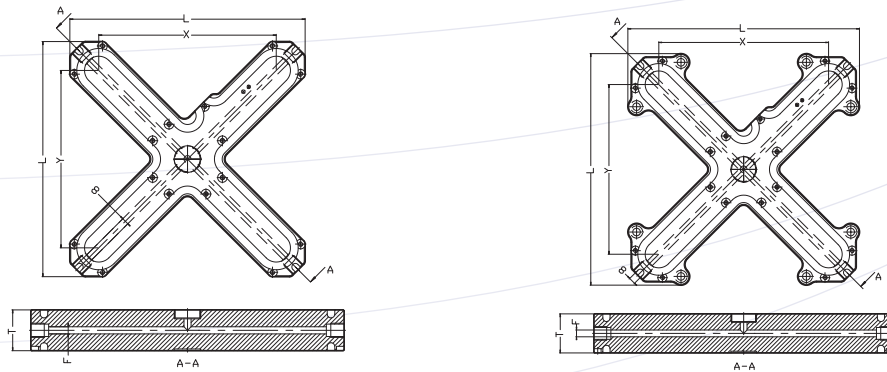
Material : 420H

(mm)

Part No.	T	F (ø)	Y	W	L=150 X	L=170 X	L=190 X	L=210 X	L=230 X	L=250 X	L=270 X	L=290 X	L=310 X	L=330 X	L=350 X	L=370 X
MHO/XXXX	36/46	6/8/10	80	135	80	100	120	140	160		200		240		280	
			100	155		100	120	140	160		200		240		280	
			120	175			120	140	160		200		240		280	
			140	195				140	160		200		240		280	
MHO/XXXX	56	12/14/16	80	135		80	100	120	140	160		200		240		280
			100	155			100	120	140	160		200		240		280
			120	17				120	140	160		200		240		280
			140	195					140	160		200		240		280

A1 Manifold X X-X type

X-type

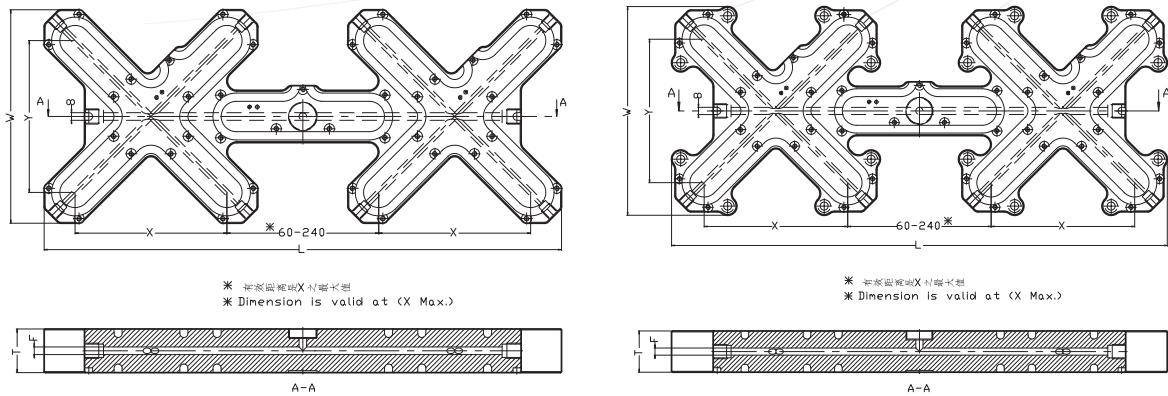


Material : 420H

(mm)

Part No.	T	F (ø)	L=125 X/Y	L=145 X/Y	L=165 X/Y	L=185 X/Y	L=205 X/Y	L=225 X/Y	L=245 X/Y	L=265 X/Y	L=285 X/Y	L=305 X/Y	L=325 X/Y
MXO/3606	36	6	60	80	100	120	140	160		200		240	
MXO/4608	46	8	60	80	100	120	140	160		200		240	
MXO/4610	46	10	60	80	100	120	140	160		200		240	
MXO/5612	56	12					120	140	160		200		240
MXO/5614	56	14					120	140	160		200		240
MXO/5616	56	16					120	140	160		200		240

X-X-type



Material 420H

(mm)

Part No.	T	F (ø)	L=260 W=125 X/Y	L=306 W=145 X/Y	L=365 W=165 X/Y	L=425 W=185 X/Y	L=445 W=205 X/Y	L=485 W=213 X/Y	L=505 W=225 X/Y	L=553 W=233 X/Y	L=565 W=245 X/Y	L=673 W=273 X/Y	L=685 W=285 X/Y	L=793 W=313 X/Y	L=805 W=325 X/Y
MXX/3606	36	6	60	80	100	120		140		160		200		240	
MXX/4608	46	8	60	80	100	120		140		160		200		240	
MXX/4610	46	10	60	80	100	120		140		160		200		240	
MXX/5612	56	12					120		140		160		200		240
MXX/5614	56	14					120		140		160		200		240
MXX/5616	56	16					120		140		160		200		240

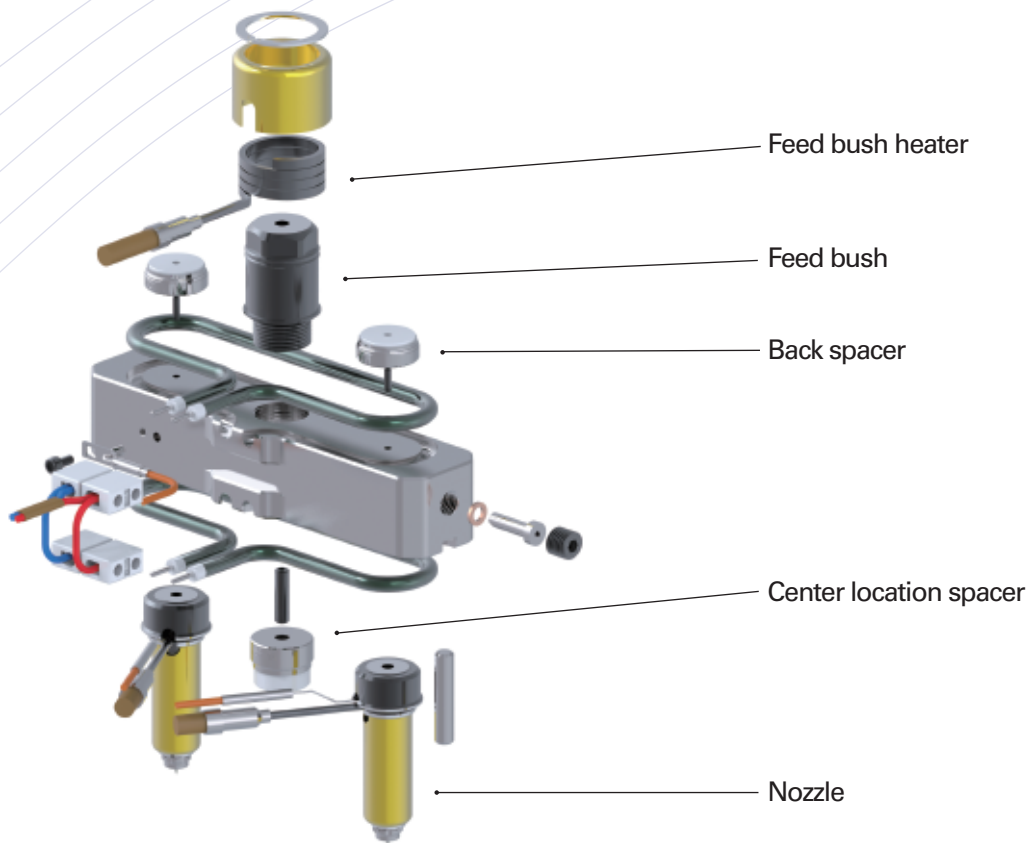
Order example:

M---XX---XXX---XXX---XX---XX---B

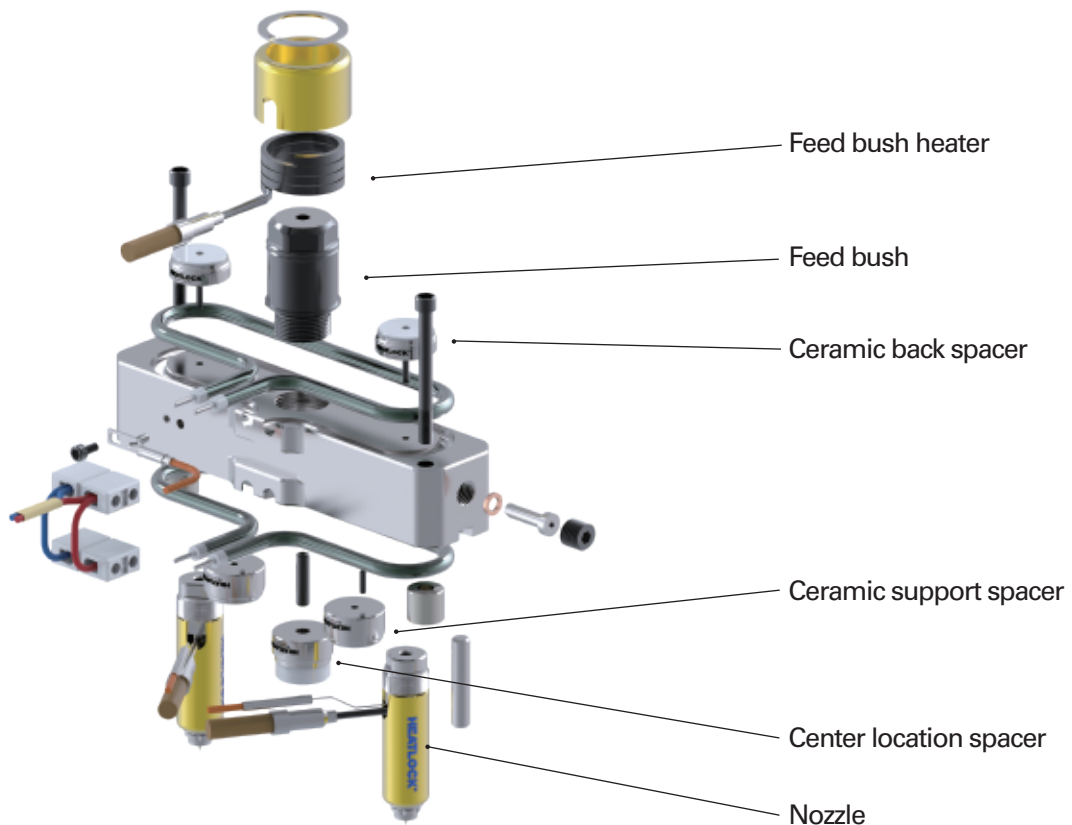
(Series) (X) (Y) (T) (F)

M X0 120 120 56 12 B

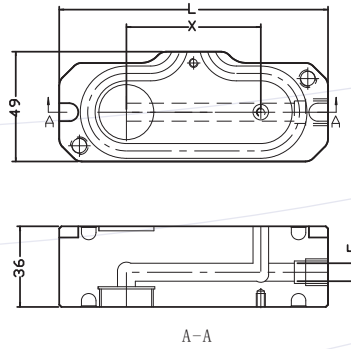
A2 Manifold structure



A3 Manifold structure

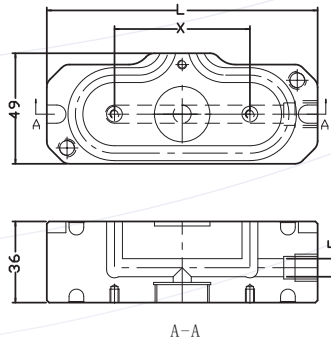


Offset type



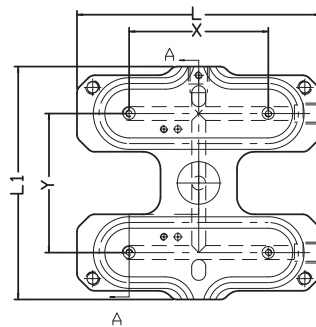
Part No.	F(Ø)	L=120 X	L=140 X	L=160 X	L=180 X	L=200 X	L=220 X
SMO/3606	6	60	80	100	120	140	160
SMO/3608	8						

I type



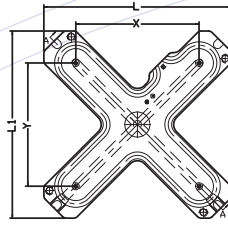
Part No.	F(Ø)	L=120 X	L=140 X	L=160 X	L=180 X	L=200 X	L=220 X
SMI/3606	6	60	80	100	120	140	160
SMI/3608	8						

H type

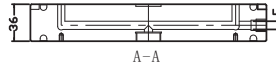


Part No.	F(Ø)	Y	L=140 X	L=160 X	L=180 X	L=200 X	L=220 X	L=260 X	L=300 X	L=340 X	L1
SMH/3606	6	80	80	100	120	140	160	200	240	280	134
SMH/3608	8										
SMH/3606	6	100		100	120	140	160	200	240	280	154
SMH/3608	8										
SMH/3606	6	120			120	140	160	200	240	280	174
SMH/3608	8										
SMH/3606	6	140				140	160	200	240	280	194
SMH/3608	8										

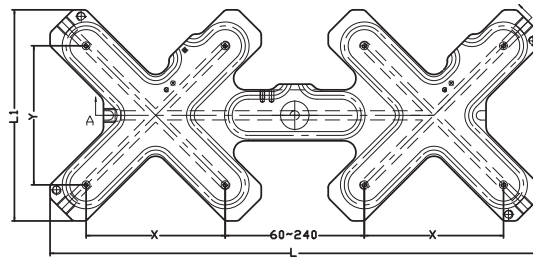
A2/3 Manifold X X-X Y-Y type



X type

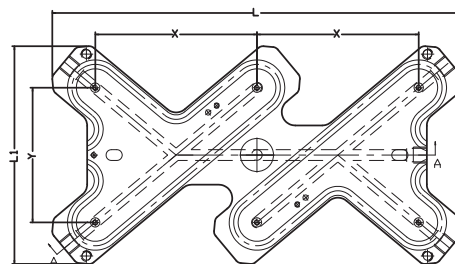


Part No.	F(Ø)	L=129 X/Y	L=149 X/Y	L=169 X/Y	L=182 X/Y	L=202 X/Y	L=222 X/Y	L=262 X/Y	L=302 X/Y
SMX/3606	6	60	80	100	120	140	160	200	240
SMX/3608	8								



X-X type

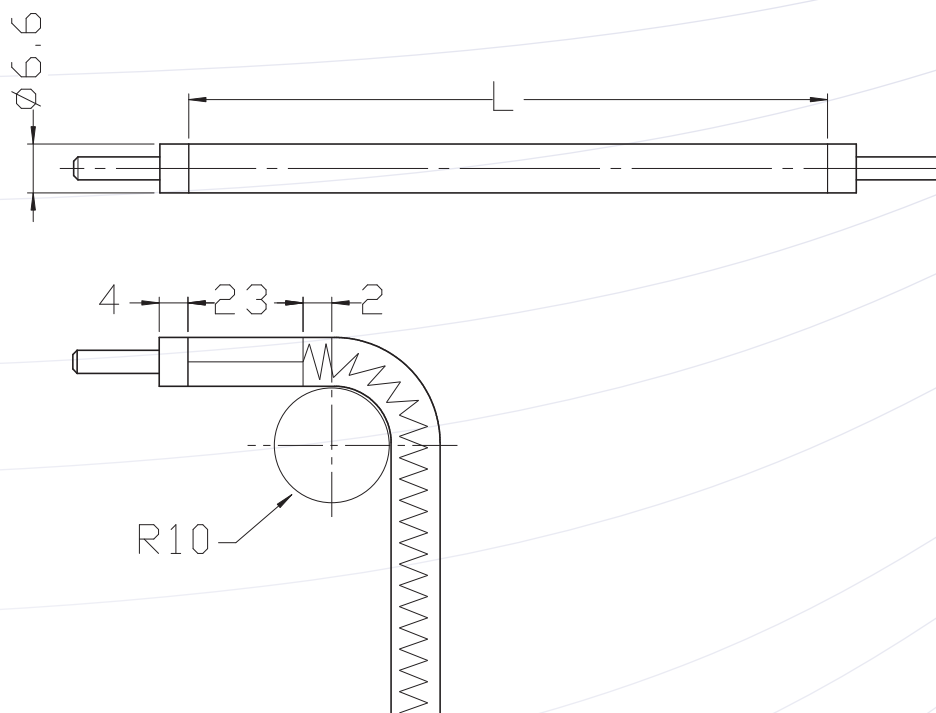
Part No.	F(Ø)	L=242 L1=129 X/Y	L=302 L1=149 X/Y	L=362 L1=169 X/Y	L=422 L1=182 X/Y	L=482 L1=202 X/Y	L=542 L1=222 X/Y	L=662 L1=262 X/Y	L=782 L1=302 X/Y
SMXX/3606	6	60	80	100	120	140	160	200	240
SMXX/3608	8								



Y-Y type

Part No.	F(Ø)	Y	L=222 X	L=264 X	L=305 X	L=344 X	L=384 X	L=465 X	L1
SMY/3606	6	80	80	100	120				142
SMY/3608	8								
SMY/3606	6	100		100	120	140			162
SMY/3608	8								
SMY/3606	6	120			120	140	160		182
SMY/3608	8								
SMY/3606	6	140				140	160	200	202
SMY/3608	8								

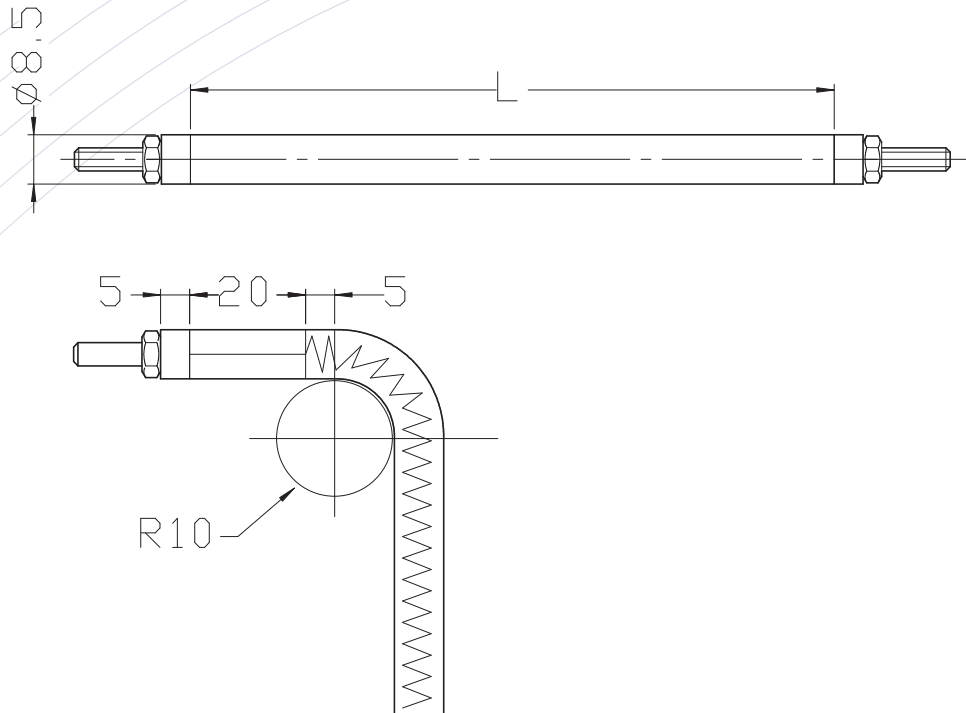
Straight Tubular heater/ Rakt Element-RH66



Bending Instruction: The tube cladding must not be damaged by impact from hammers or damaged by scars. Once a tubular heater has been bent, it must not be bent back on the same spot.

Item code	L	Power	Item code	L	Power
RH6602750300	275	300	RH6606920850	692	850
RH6603150350	315	350	RH6607010850	701	850
RH6603550400	355	400	RH6607150900	715	900
RH6603950450	395	450	RH6607210900	721	900
RH6604350500	435	500	RH6607330900	733	900
RH6604430500	443	500	RH6607400900	740	900
RH6604750550	475	550	RH6607710950	771	950
RH6605550650	555	650	RH6608081000	808	1000
RH6605600700	560	700	RH6608191050	819	1050
RH6605670700	567	700	RH6608841100	884	1100
RH6606040750	604	750	RH6608901150	890	1150
RH6606160750	616	750	RH6609581200	958	1200
RH6606350800	635	800	RH6609971250	997	1250
RH6606540800	654	800	RH6610701400	1070	1400
RH6606740850	674	850	RH6611501500	1150	1500

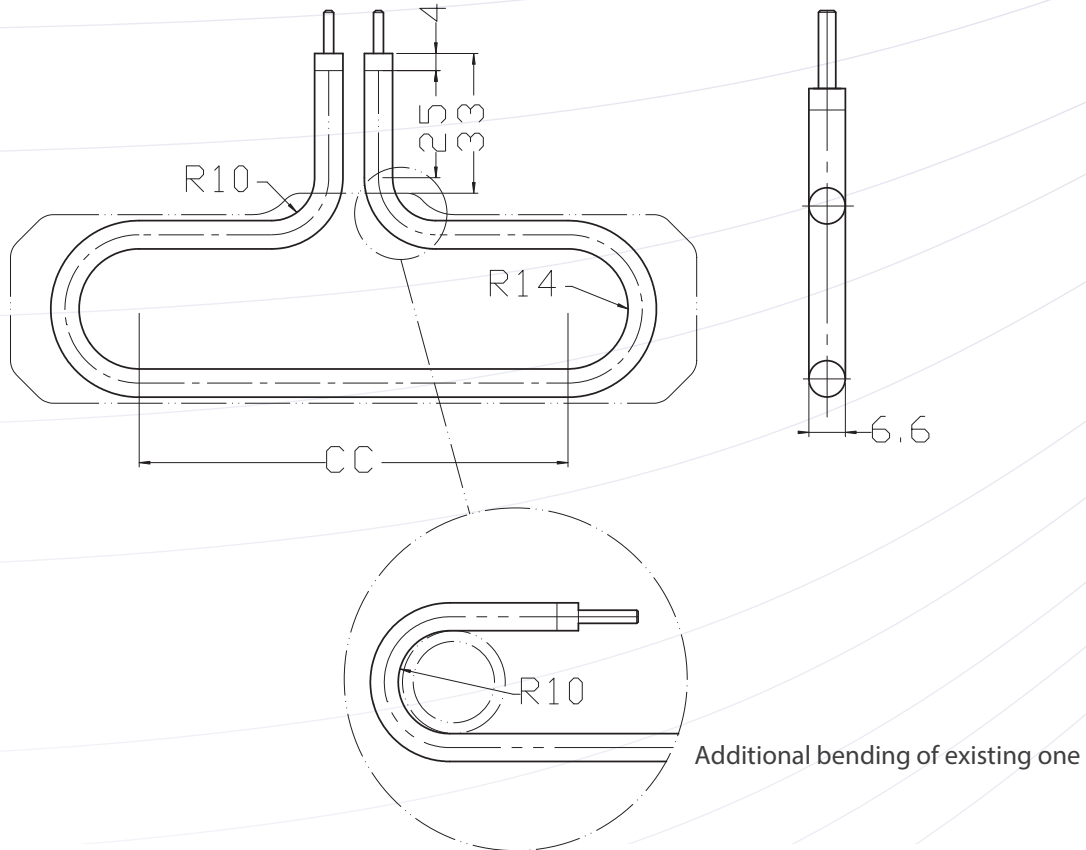
Straight Tubular heater/ Rakt Element-RH85



Bending Instruction: The tube cladding must not be damaged by impact from hammers or damaged by scars. Once a tubular heater has been bent, it must not be bent back on the same spot.

Item code	L	Power
RH8502960350	296	350
RH8503250400	325	400
RH8503650450	365	450
RH8504050500	405	500
RH8504450550	445	550
RH8504550550	455	550
RH8504850600	485	600
RH8505670700	567	700
RH8506470850	647	850
RH8506810900	681	900
RH8507270950	727	950
RH8507721000	772	1000
RH8508301100	830	1100
RH8508861200	886	1200
RH8509451250	945	1250
RH8510051300	1005	1300
RH8510801450	1080	1450
RH8511601550	1160	1550
RH8512281650	1228	1650

Tubular heater/ Element-MHI66

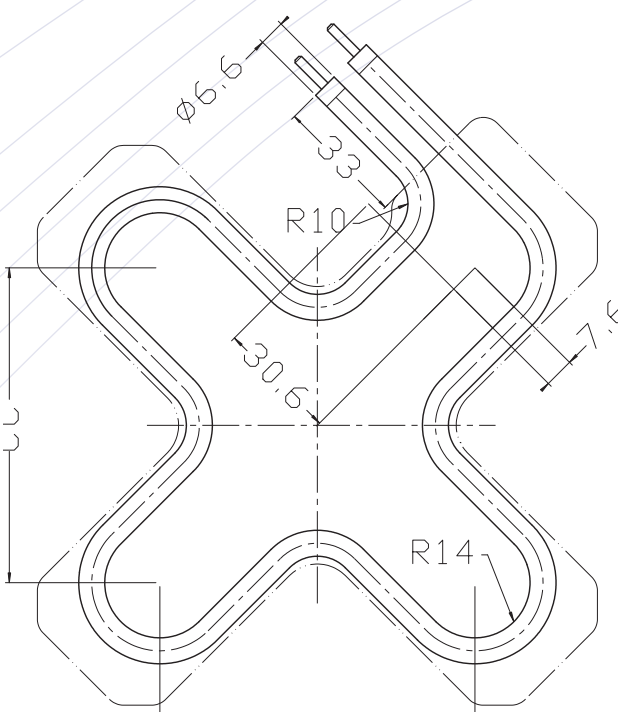


If you need to bend the heater 180°, make sure to use a pipe as support of minimum radius 10 mm. This will prevent the heater to be damaged.

For further information, get in contact with your local distributor of Heatlock. Latest information always available at www.heatlock.com.

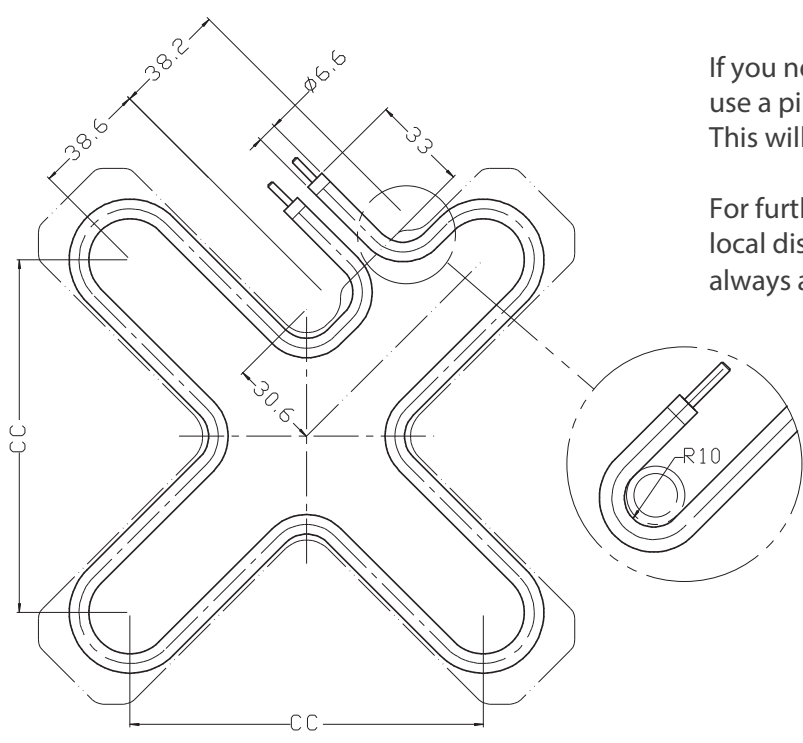
Item code	CC	L	Power
MHI0600300	60	275	300
MHI0800350	80	315	350
MHI1000400	100	355	400
MHI1200450	120	395	450
MHI1400500	140	435	500
MHI1600550	160	475	550
MHI2000650	200	555	650
MHI2400800	240	635	800
MHI2800900	280	715	900

Tubular heater/ Element-MHX66



CC ≤ 100mm

Item code	CC	L	Power
MHX0600500	60	443	500
MHX0800700	80	560	700
MHX1000850	100	674	850
MHX1200950	120	771	950
MHX1401100	140	884	1100
MHX1601250	160	997	1250
MHX2001600	200	1224	1600
MHX2400900	240	733	900



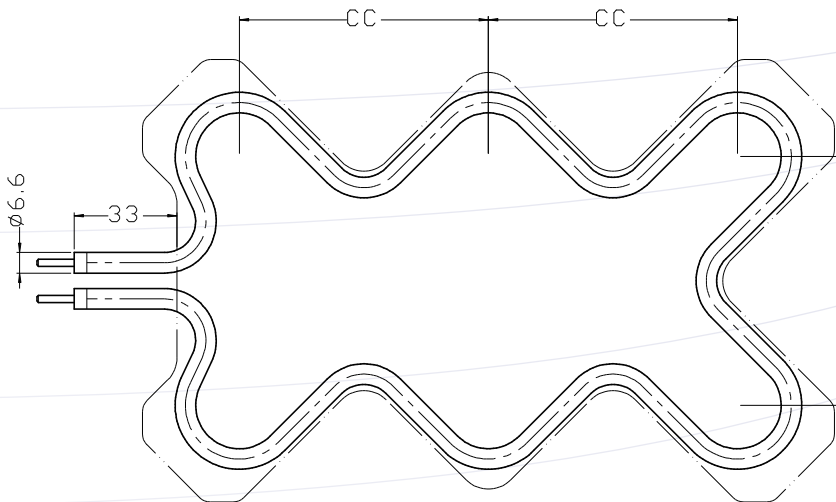
CC ≤ 240mm

If you need to bend the heater 180°, make sure to use a pipe as support of minimum radius 10 mm. This will prevent the heater to be damaged.

For further information, get in contact with your local distributor of Heatlock. Latest information always available at www.heatlock.com.

Additional bending of existing one

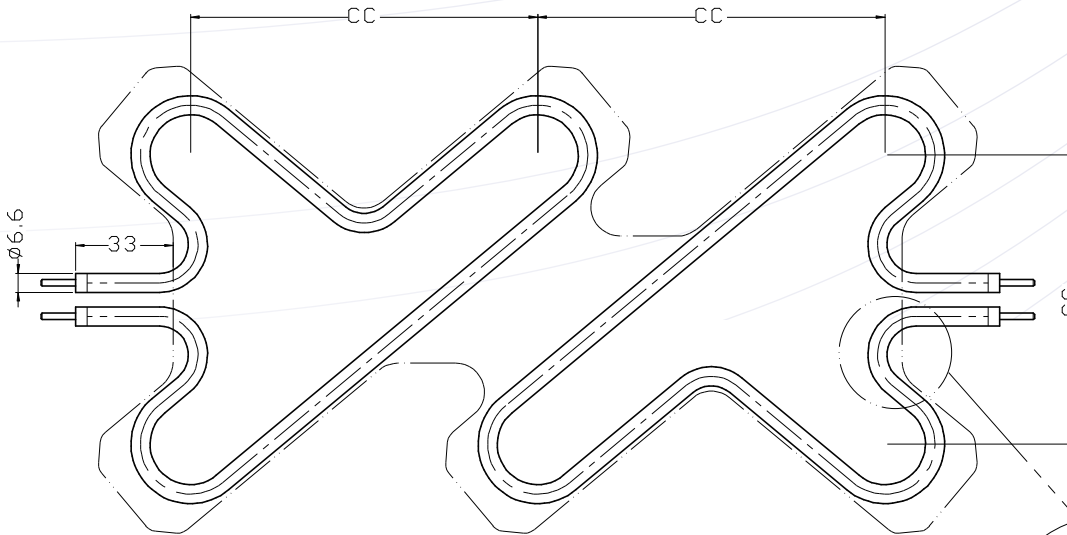
Tubular heater/ Element-MHY66



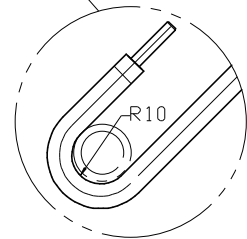
CCY/X ≤ 100/120mm

If you need to bend the heater 180°, make sure to use a pipe as support of minimum radius 10 mm. This will prevent the heater to be damaged.

For further information, get in contact with your local distributor of Heatlock. Latest information always available at www.heatlock.com.



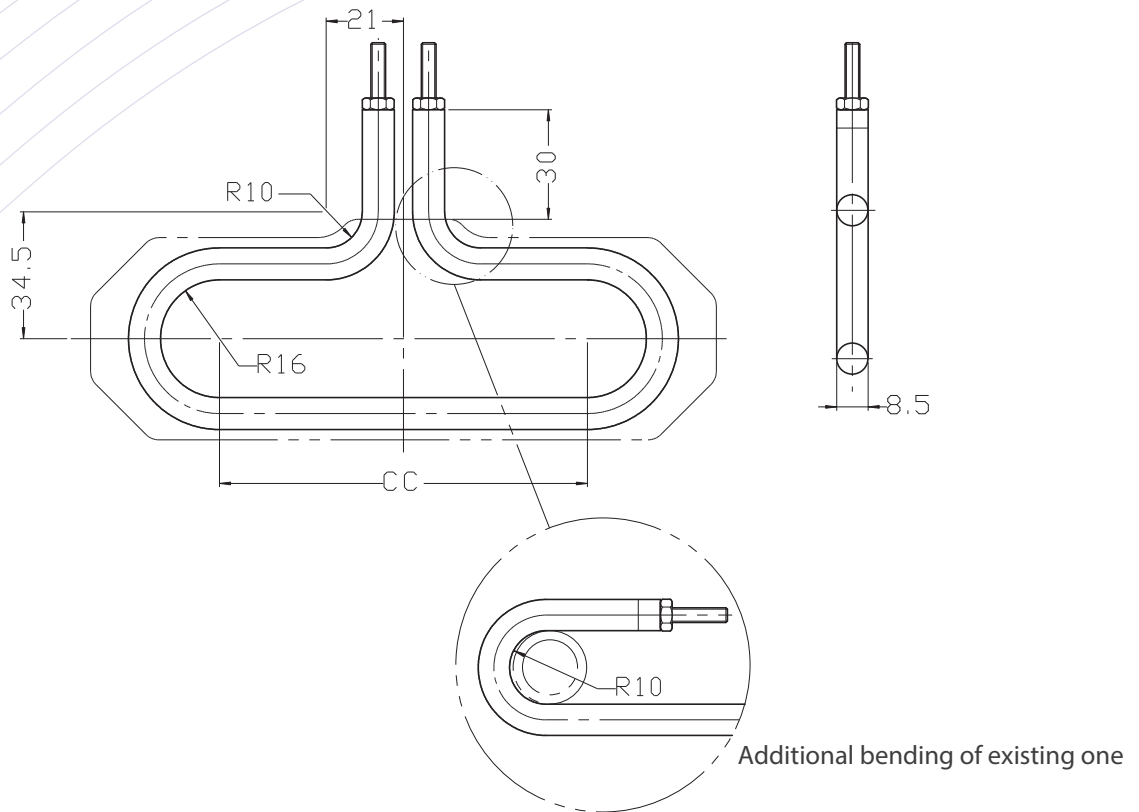
CCY/X ≤ 140/200mm



Additional bending of existing one

Item code	CC	L	Power
MHY0800800900	80/80	721	900
MHY0801001000	80/100	808	1000
MHY0801201150	80/120	890	1150
MHY100/1001200	100/100	958	1200
MHY1001200700	100/120	567	700
MHY1001400750	100/140	604	750
MHY1201200750	120/120	616	750
MHY1201400800	120/140	654	800
MHY1201600850	120/160	692	850
MHY1402001050	140/120	819	1050
MHY1401400850	140/140	701	850
MHY1401600900	140/160	740	900

Tubular heater/ Element-MHI85

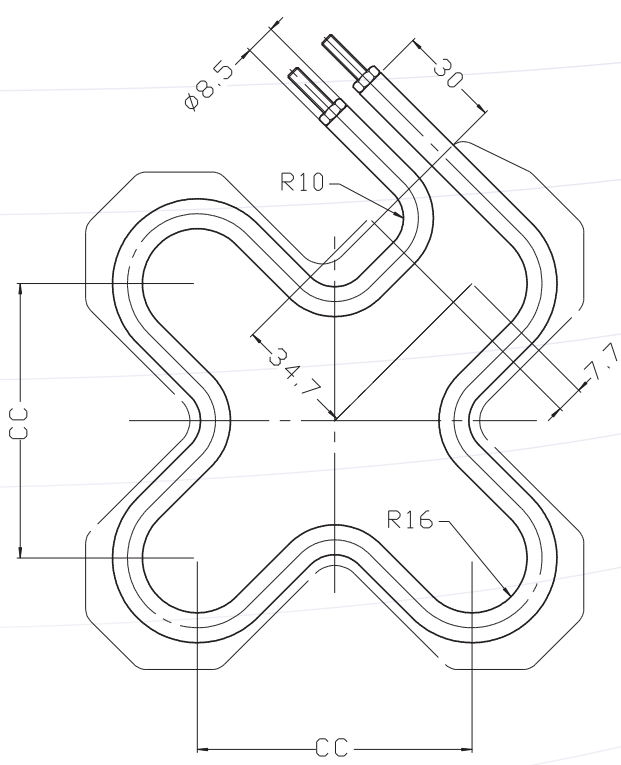


If you need to bend the heater 180°, make sure to use a pipe as support of minimum radius 10 mm. This will prevent the heater to be damaged.

For further information, get in contact with your local distributor of Heatlock. Latest information always available at www.heatlock.com.

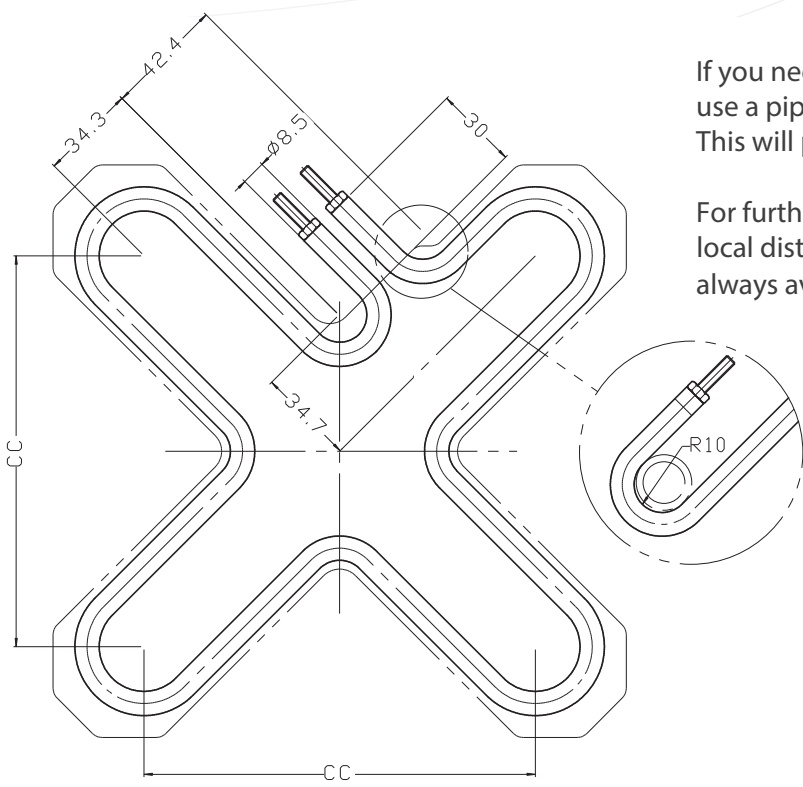
Item code	CC	L	Power
MHI0600350	60	296	350
MHI0800400	80	325	400
MHI1000450	100	365	450
MHI1200500	120	405	500
MHI1400550	140	445	550
MHI1600600	160	485	600
MHI2000700	200	567	700
MHI2400850	240	647	850
MHI2800950	280	727	950

Tubular heater/ Element-MHX85



CC ≤ 100mm

Item code	CC	L	Power
MHX0600550	60	455	550
MHX0800700	80	567	700
MHX1000900	100	681	900
MHX1201000	120	772	1000
MHX1401200	140	886	1200
MHX1601350	160	1005	1350
MHX2001650	200	1228	1650
MHX2401000	240	772	1000



CC ≤ 240mm

If you need to bend the heater 180°, make sure to use a pipe as support of minimum radius 10 mm. This will prevent the heater to be damaged.

For further information, get in contact with your local distributor of Heatlock. Latest information always available at www.heatlock.com.

Additional bending of existing one

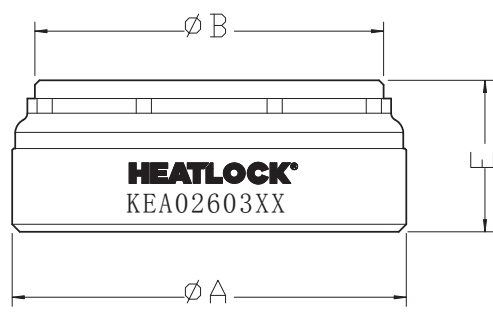
Ceramic



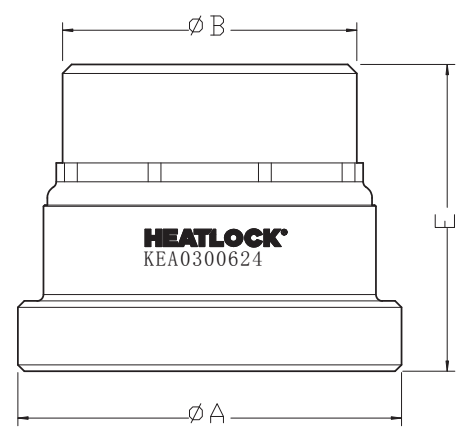
Our latest development within our well proven ceramic insulation technology! We were the first in 1982 to introduce Hot Runners with Ceramics. Ceramic insulation is superior insulator compared with anything else; it LOCK HEAT in!

Result is less heat transform at contact surfaces, still with excessive support surfaces to ensure mould stability at the same time energy saving. With our latest patented CE-FIX technology have we made ceramics even easier to use with increased sustainability, easy to install and adjust.

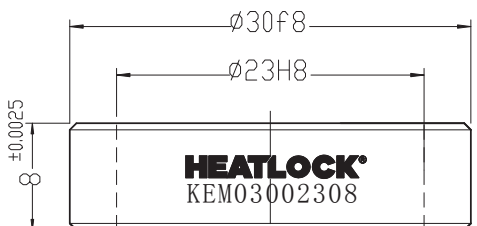
Ceramic part



Item code	A	B	E	Description
KEA0260307	26	23	7	Black spacer for A1
KEA0260310			10	Black spacer for A3
KEA0260314			14	Support spacer
KEA0260620			20	Center location spacer for A3



Item code	A	B	E	Description
KEA0300624	30	23	24	Center location spacer for A1

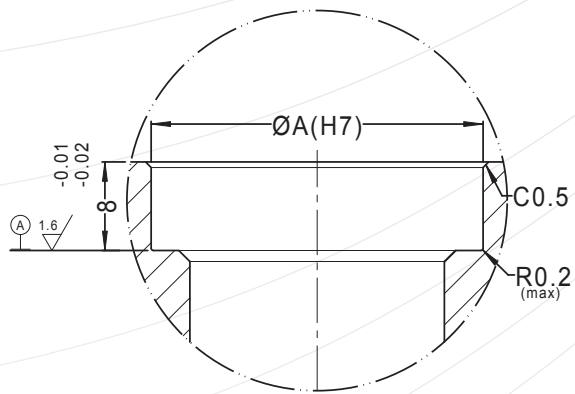
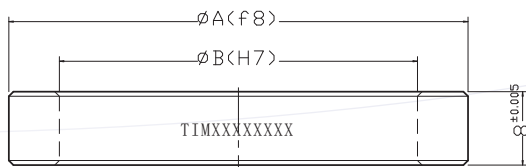


Size	Item code
A1-1	KEM03002308
A2-05	

Body location ring

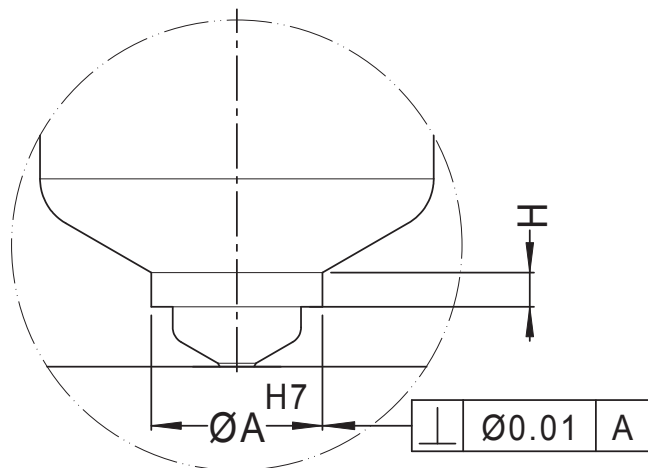
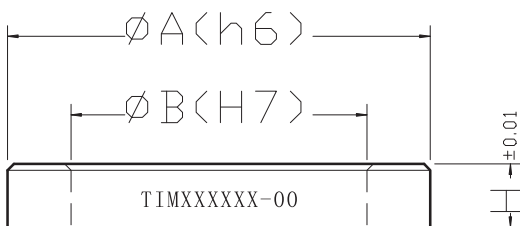
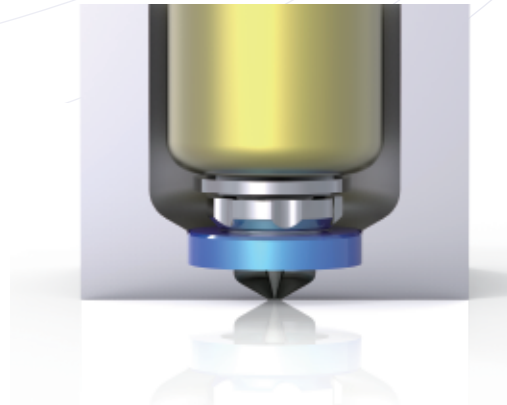


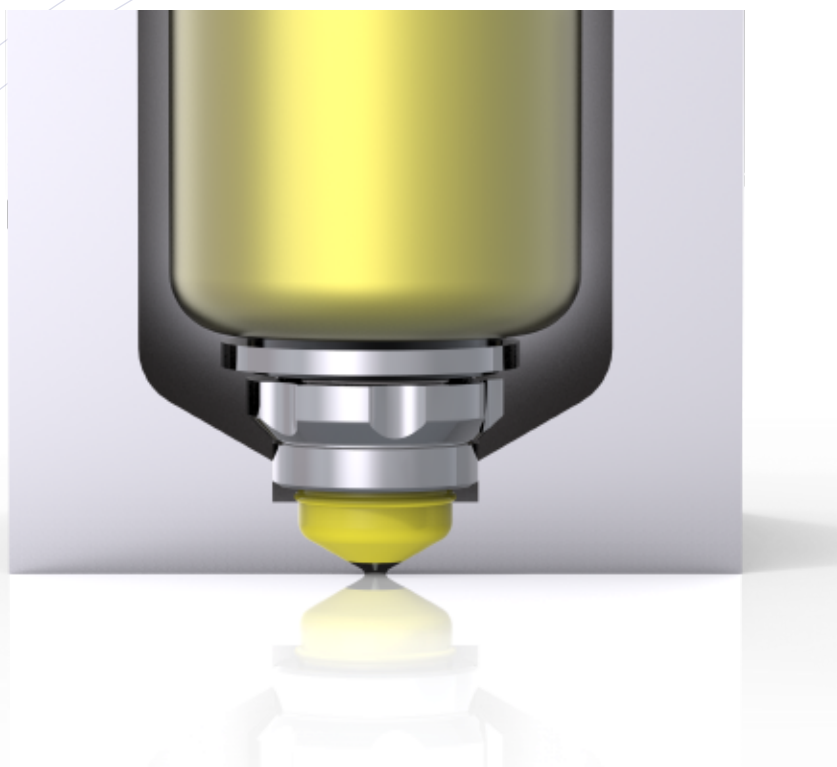
Size	Item code	A	B
A2-04	TIM02301708	23	17
A1-1/A2-05	TIM03002308	30	23
A1-2/A2-07	TIM03602708	36	27
	TIM04002708	40	27
	TIM05002708	50	27
A1-3/A2-10	TIM05003908	50	39
A1-4/A2-17	TIM05404408	54	44
A2MT-04	TIM06505308	65	53
A2MT-05	TIM07306108	73	61



Front ring

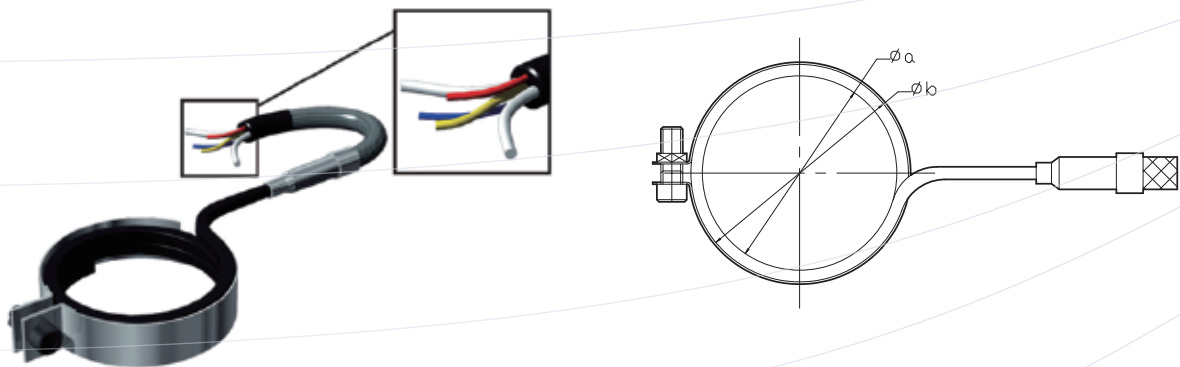
Size	Item code	A	B	B
A2/3-04	TIM00900615	9	6	1.5
A2/3-05	TIM01400803	14	8	3
A2/3-07	TIM01601003	16	10	3
A1-1	TIM01701103	17	11	3
A2/3-07	TIM01801204	18	12	3
A1-2	TIM02001403	20	14	3





Size	Item code	OD	H
A1-1	A1FC11133	11	3.35
A1-2	A1FC21345	13.9	4.57
A1-3	A1FC31806	18.9	6.01
A2/3-04	A3FC044724	4.7	2.46
A2/3-05	A3FC057939	7.9	4.9
	A3FC057949	7.9	4.9
	A3VGFC057939	7.9	3.98
A2/3-07	A3FC079443	9.4	4.33
	A3VGFC079441	9.4	4.1
A2/3-10	A3FC101372	12.9	7.24
	A3VGFC101348	12.8	4.8
A2/3-17	A3FC171892	18.5	9.22
A2/3-24	A3FC243015	30.2	15.08

Band heater



Power	White (2x)	Power
	Yellow/Green	Earth
Thermocouple	Blue	Minus [-]
	Red	Positive [+]

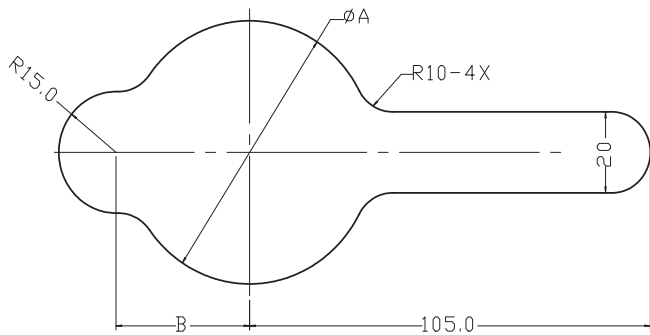
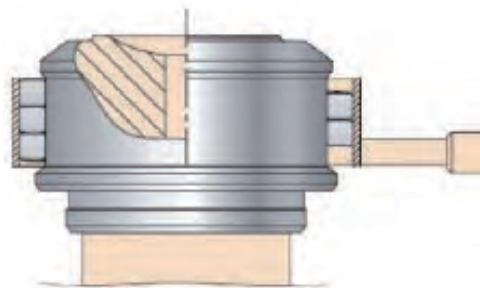
Size	Part No.	Dimension	a	b	Watts
A1-1	BH127150	33x10	27	33	150
A1-T-1	BH230200	36x10	30	36	200
A1-2	BH233200	39x10	33	39	200
A1-T-2	BH235250	41x10	35	41	250
A1-3/XL	BH347250	53x10	47	53	250
A1-4/XL	BH451300	57x10	51	57	300
MEGA	BO74015600	74x15	74	80	600

Single cavity application:

A heater feed bush is recommended for all polymers except PE PP and PS.

Important:

For best performance always connect band heater to separate temperature controller zone



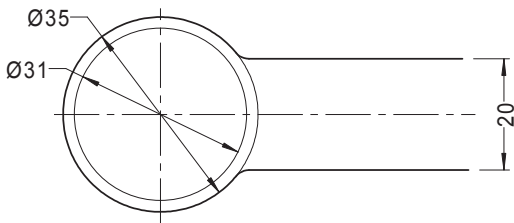
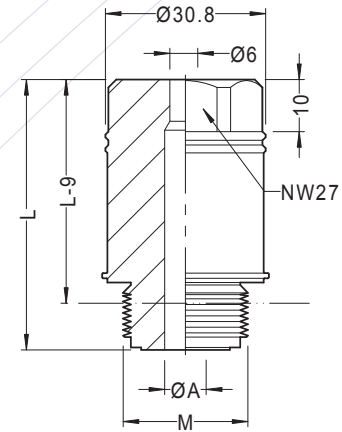
Band heater bore

Assembly of band heater:

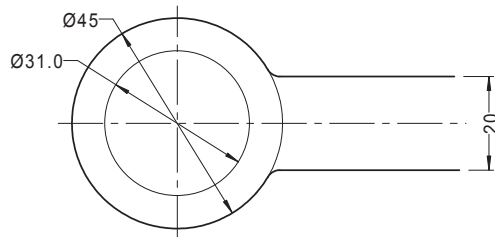
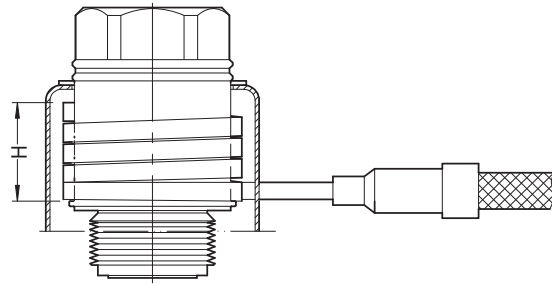
- Remove metal band.
- Assembly coilheater onto nozzle head.
- Assembly an fix metal band outside the heater.

Size	Part No.	A	B
A1-1	BH127150	40	30
A1-T-1	BH230200	43	32
A1-2	BH233200	45	32
A1-T-2	BH235250	48	34
A1-3/XL	BH347250	62	40
A1-4/XL	BH451300	65	40
MEGA	BO74015600	90	60

Feed bush



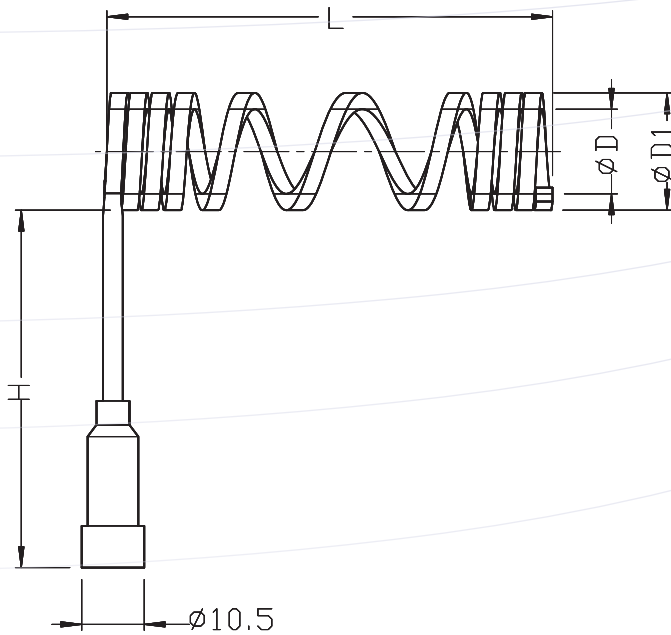
Feed bush with band heater



Item code	M	L	A	H	Heater	W	Reflector	Clip ring
DSP5202408	24X1.5	52	8	20	BS230020250	250	RFT438200-21	CUSH-00296
DSP5202410			10					
DSP5203008	30X1.5	52	8	20	BS230020250	250	RFT438200-21	CUSH-00296
DSP5203010			10					
DSP7002408	24X1.5	70	8	36	BS230036400	400	RFT438200-41	CUSH-00296
DSP7002410			10					
DSP7003008	30X1.5	70	8	36	BS230036400	400	RFT438200-41	CUSH-00296
DSP7003010			10					

Please note:

- For resins with high melt temperature than 250 °C use a rear band heater for maximum temperature control
- NOTE : control band heater with a separate temperature controller

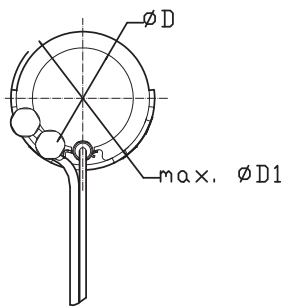
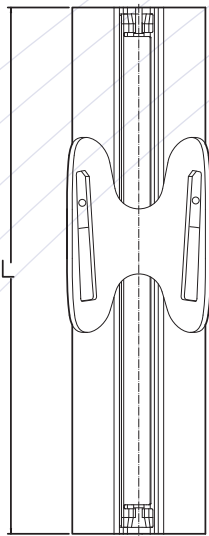


Coilheater

Unevenly wound to give a more even heat supply along the bushings length. Without built-in thermocouple. Voltage 230 V. Each heater is separately tested when produced to ensure high quality. The dimension of the resistanc wire is made so it will not be damaged even if the heater is used with maximum power constantly. The length can be adjusted if needed by pulling the heater.

Part NO	ØD/mm	ØD1/mm	L/mm	Wattage/W	H
CS14120330200	12.3	16.7	33	200	70
CS14120430200	12.3	16.7	43	200	
CS14120530225	12.3	16.7	53	225	
CS14120730250	12.3	16.7	73	250	
CS14120930350	12.3	16.7	93	350	
CS14121130350	12.3	16.7	113	350	
CS14150310260	15.3	19.7	31	260	70
CS14150510300	15.3	19.7	51	300	
CS14150710350	15.3	19.7	71	350	
CS14150910450	15.3	19.7	91	450	
CS14151110450	15.3	19.7	111	450	
CS14151310500	15.3	19.7	131	500	
CS14151510550	15.3	19.7	151	550	
CS14210330300	21.3	25.7	33	300	70
CS14210490400	21.3	25.7	49	400	
CS14210690450	21.3	25.7	69	450	
CS14210890500	21.3	25.7	89	500	
CS14211090600	21.3	25.7	109	600	
CS14211290650	21.3	25.7	129	650	
CS14211490700	21.3	25.7	149	700	
CS14211690750	21.3	25.7	169	750	
CS01280520500	28.3	33.7	52	500	70
CS01280680600	28.3	33.7	68	600	
CS01280880700	28.3	33.7	88	700	
CS01281080750	28.3	33.7	108	750	
CS01281280800	28.3	33.7	128	800	
CS01281480850	28.3	33.7	148	850	
CS01281680900	28.3	33.7	168	900	
CS01281880950	28.3	33.7	188	950	

HPO Heater



HPO heater which is we together with our heater supplier developed the heater to suit the design and application. Regardless of melt temperature of mould temperature do we have an excellent temperature profile, so good we simply call the heater series THE STRAIGHT!

Of course with our signum, easy to service and maintain.

Part NO.	$\varnothing D/mm$	$\varnothing D1/mm$	L/mm	Wattage/W	Buckle	Spare Thermocouple
HS15150310160	15.5	23	31	160	1	TC00160160
HS15150430229			43	229	1	
HS15150560239			56	239	1	
HS15150690248			69	248	1	
HS15150810258			81	258	1	TC00160210
HS15150940267			94	267	2	
HS15151070277			107	277	2	
HS15151320295			132	295	2	TC00160260
HS15151580314			158	314	2	

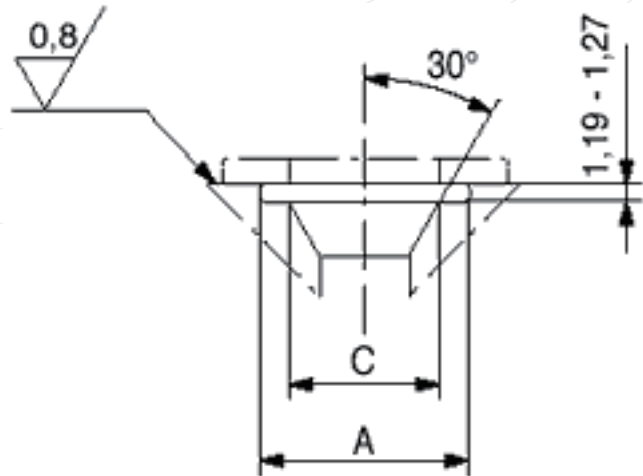
O-rings of stainless steel

Part No.	I. \varnothing mm	O. \varnothing mm
ORING00500	9.56	12.70
ORING00608	11.10	14.27
ORING00610	14.27	17.45
ORING00615	15.90	19.05
ORING00620	17.45	20.65
ORING00630	19.05	22.23
ORING00640	23.80	26.97
ORING00645	25.43	28.58
ORING00650	26.97	30.18

To seal the joints of hot runner system. The O-ring is made of stainless steel pipe and gives when built in according to the instructions seal proof joint. A hole on the inside diameter of the tubular ring increases the internal pressure of the O-ring, when the plastic flow channel is filled with melted plastic material. This helps to increase the O-rings sealing capacity.

Boring instructions for O-rings.

Part No.	A ^{+0.1} _{-0.0}	C
ORING00500	12.83	8.89
ORING00608	14.40	10.46
ORING00610	17.59	13.65
ORING00615	19.18	15.24
ORING00620	20.76	16.83
ORING00630	22.35	18.42
ORING00640	27.15	23.16
ORING00645	28.70	24.76
ORING00650	30.29	26.35



Fixture For Tips and Fronts

Size	Item Code
A1-1	A11FXTN0907
A1-2	A12FXTN1210
A1-3	A13FXTN1513
A1-4	A14FXTN2220
A2MT-04	A2MTFX1114
	A2MTFX1113
	A2MTFXXS84020
A3-04	A304FXFR0813
A2MT-05/A3-05	A305FXFR0813
A3-07	A307FXFR1915
A3-10	A310FXFR3122
A3-17	A317FXFR3727



Reflector

Nozzle Reflector



Size	Item code
A1-1	RFT120120-040
	RFT120120-050
	RFT120120-060
	RFT120120-080
	RFT120120-100
	RFT120120-120
A1-2	RFT224200-040
	RFT224200-060
	RFT224200-080
	RFT224200-100
	RFT224200-120
	RFT224200-140
	RFT224200-160
A1-3	RFT334200-060
	RFT334200-080
	RFT334200-100
	RFT334200-120
	RFT334200-140
	RFT334200-160
A1-4	RFT428200-080
	RFT428200-100
	RFT428200-120
	RFT428200-140
	RFT428200-160
	RFT428200-180
	RFT428200-200

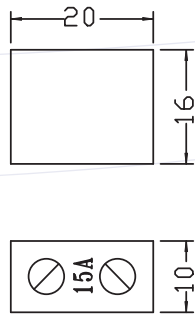
Size	Item code
A2-05	GRFT120120-040
	GRFT120120-050
	GRFT120120-060
	GRFT120120-080
	GRFT120120-100
	GRFT120120-120
A2-07	GRFT224200-040
	GRFT224200-060
	GRFT224200-080
	GRFT224200-100
	GRFT224200-120
	GRFT224200-140
	GRFT224200-160

Size	Item code
A3-05	GRFT120120-064
	GRFT120120-074
	GRFT120120-094
	GRFT120120-114
	GRFT120120-134
A3-07	GRFT224200-074
	GRFT224200-094
	GRFT224200-114
	GRFT224200-134
	GRFT224200-154
GRFT224200-174	

Feed bush Reflector

Feed bush item	Item code
DSP5202408	RFT438200-21
DSP5202410	
DSP5203008	
DSP5203010	RFT438200-41
DSP7003008	
DSP7003010	

Ceramic



Art.Nr.	Ampere
MHCONN001	15

Thermocouple

Thermocouples for accurate measuring of temperature in moulds for injection moulding . The thermocouples from HEATLOCK are J-Type of industrial standard and have grounded junctions.

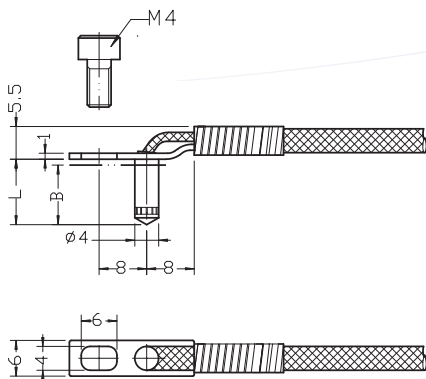
Lead wires are protected by a rugged stainless steel braided cover. Length of cables 900 mm.

Connect:

- Black (Red) to the positive pole (+)
- White (Blue)to the negative pole (-)

Used to measure temperatures on i.e. manifolds. Measures the temperature in the tip of the tube.(400°C)

Drill the bore for the thermocouple 1 mm shorter than the L-measurement to insure good contact at the measuring point ; B=L-1

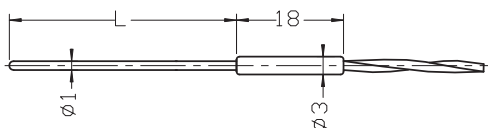


Part NO.	L
TC00040180	12

Thin thermocouple used to measure the temperature on our Heatlock bushes. The thermocouple is protected by a capton tube. It measures in the tip of the tube.

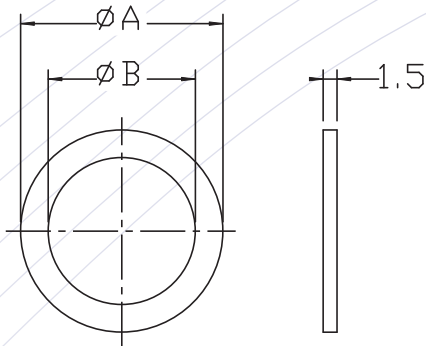
The tube can be bent with a radius of min.3mm. Measures temperatures up to 400°C.

The Ø3 mm base can withstand temperatures up to max.260°C.



Part NO.	L
TC00140195	45
TC00140200	55
TC00140210	75
TC00140220	100
TC00140230	110
TC00140250	160
TC00140270	210

Seal-MS

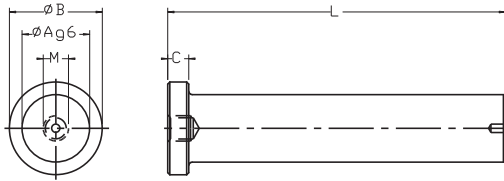


Notice:

Those parts are included in all complete manifolds.

Part NO.	A	B
MS06	10	6
MS08	14	8
MS10	18	10
MS12	22	12
MS14	22	14
MS16	22	16
MS18	22	18

Plug-MP

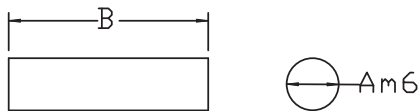


Notice:

Those parts are included in all complete manifolds.

Part NO.	A	B	C	M	L
MP06050/80	6	10	3	M3	50/80
MP08050/80	8	14	3	M4	50/80
MP08050-10	8	10	3	M4	50
MP10050/80	10	17	3	M5	50/80
MP12050/80	12	22	5	M6	50/80
MP14050/80	14	22	5	M6	50/80
MP16050/80	16	22	5	M6	50/80
MP18050/80	18	22	5	M6	50/80

Dowel pin



Notice:

Those parts are included in all complete manifolds.

Part NO.	A	B
DW04X16	4	16
DW08X30	8	30
DW08X40	8	40



Filter Nozzle

A filter nozzle helps by removing metal shavings and impurities in the plastic material. In this way you avoid blockages in your hot runner system which could force a production stop for cleaning.

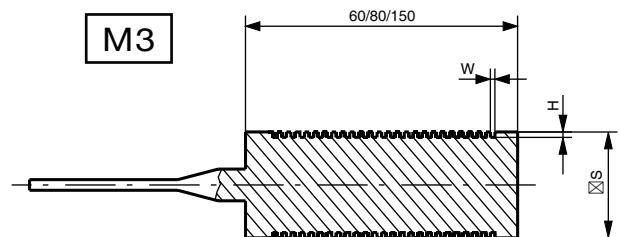
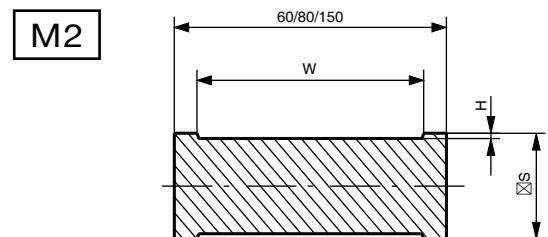
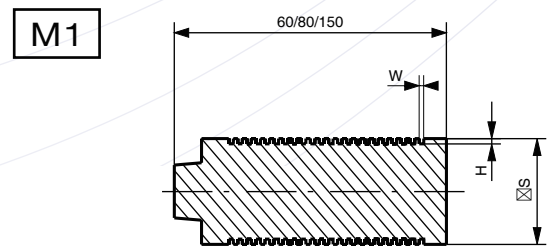
Moreover the plastic material is mixed better before it is injected into the form, which helps you to keep an even and high quality in the production.

By using the filter nozzle you will save both time and money.

- M1 has a toothed surface on the filter which gives it very good mixing properties.
- M2 is the simplest to clean since it has a smooth surface on the filter.
- M3, which is provided with a needle point, is capable of limiting the build up of threading. In the use of a pin-point intake nozzle together with, for example crystal-line plastic this is very desirable.

All models are produced in SKD-61 and are also TIN-treated.

The body is made in a number of standard forms and can also be ordered in a special design.



Filter Nozzle

Order Form

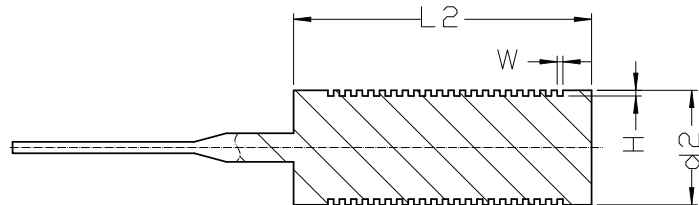
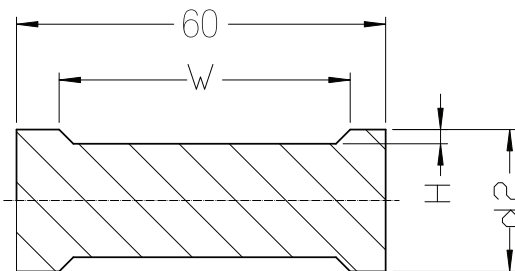
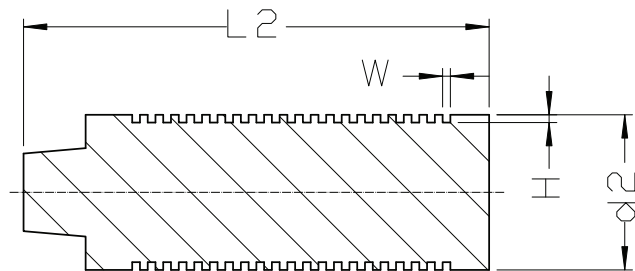
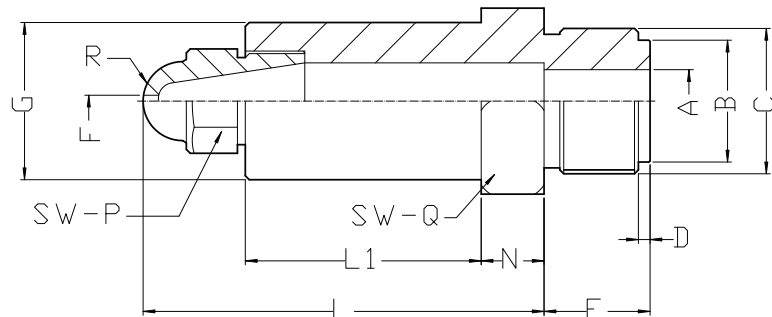
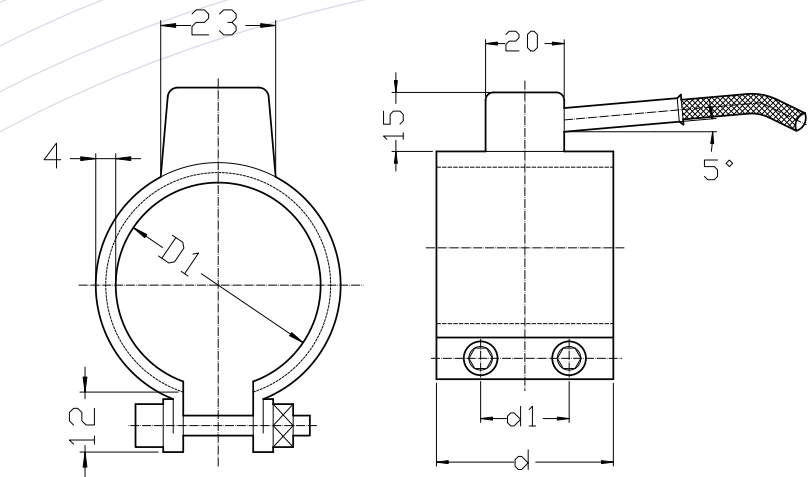
For shot weight < 1000g. Corresponds to a machine size up to approx. 400 ton.

For shot weight < 5000g. Corresponds to a machine size between 400 ton to 1000 ton.

When ordering:
Fill out the form below and specify your nozzle. This form also available as PDF at www.heatlock.com
Fax this sheet to us: (86)0769-8382 5600

Company	
Name	
Address	
Phone	
Fax	
Email	
Qty	
Notes by Heatlock	

Nozzle	M1		M2		M3	
H	0.8	1.5	0.8	0.8	1.5	1.5
W	0.8	1.5	50	0.8	1.5	1.5
d2	S20			S15		



When ordering, please write down the following dimension:

Type	A	B	C	D	E	L	F	G	L1	N	R	SW-P	SW-Q
N40							3	40	70	16	10	23	41
N50							3	50	90	20	13	29	54

*N40: L=112, L1=70, A max.=18
(including coil heater : B040045250, D1=40, d=45, d1=22.5, G=40)

*N50: L=142, L1=100, A max.=28
(including coil heater : B050060420, D1=50, d=60, d1=30, G=50)

中国广东省佛山市顺德区北滘镇金茂华美达广场1座1108室
Ramada Plaza, Room 1108, Building 1, Beijiao Town, Shunde District, Foshan City, Guangdong 邮编 Zip Code: 528311
电话 Tel: +86 757 29915868 传真 Fax: +86 757 29915860
电子邮箱 E-mail: frontdesk@heatlock.com

14th Floor South China Building, 1-3 Wyndham Street Central, Hong Kong
电话 Tel: (852) 8120 5469
传真 Fax: (852) 2653 5230
电子邮箱 E-mail: frontdesk@heatlock.com

Male insert

Item	Description
MASKINHA05	5 pin male insert
MASKINHA06	6 pin male insert
MASKINHA10	10 pin male insert
MASKINHA16	16 pin male insert
MASKINHA24	24 pin male insert



Female insert

Item	Description
MASKINHO05	5 pin female insert
MASKINHO06	6 pin female insert
MASKINHO10	10 pin female insert
MASKINHO16	16 pin female insert
MASKINHO24	24 pin female insert



Housing, A type

Item	Description	Lock Qty	Lid(Y/N)
MASKKAFL05	5 pin housing, open	1	N
MASKKAFL06	6 pin housing, open	1	N
MASKKAFL10	10 pin housing, open	2	N
MASKKAFL16	16 pin housing, open	2	N
MASKKAFL24	24 pin housing, open	2	N



B type (Default standard)

Item	Description	Lock Qty	Lid(Y/N)
MASKKAFL05C	5 pin housing, open, lid	1	Y
MASKKAFL06C	6 pin housing, open, lid	1	Y
MASKKAFL10C	10 pin housing, open, lid	1	Y
MASKKAFL16C	16 pin housing, open, lid	1	Y
MASKKAFL24C	24 pin housing, open, lid	1	Y



Hood loom, top exit A type

Item	Description
MASKKAKT10	Hood loom, top exit, 10 pin
MASKKAKT16	Hood loom, top exit, 16 pin
MASKKAKT24	Hood loom, top exit, 24 pin



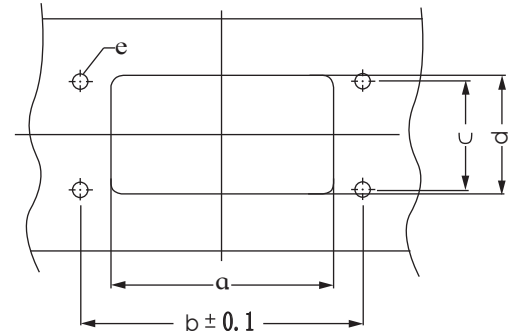
B type (Default standard)

Item	Description
MASKKAKT05	Hood loom, top exit, 5 pin
MASKKAKT06	Hood loom, top exit, 6 pin
MASKKAKT10C	Hood loom, top exit, lid, 10 pin
MASKKAKT16C	Hood loom, top exit, lid, 16 pin
MASKKAKT24C	Hood loom, top exit, lid, 24 pin



Connector-2

bore	a	b	c	d	e
5 pin	22	30	-	22	M3
6 pin	48	70	32	35	M4
10 pin	60	83	32	35	M4
16 pin	82	103	32	35	M4
24 pin	108	130	32	35	M4
US std.	73	86	17.5	24	M3



US Std. Connector

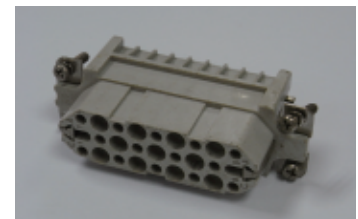
Male insert

Item	Description
CONNT-10PIN/M	US Std.Connector 10 Pin, male
CONNT-16PIN/M	US Std.Connector 16 Pin, male
CONNT-24PIN/M	US Std.Connector 24 Pin, male



Female insert

Item	Description
CONNT-10PIN/F	US Std.Connector 10 Pin, female
CONNT-16PIN/F	US Std.Connector 16 Pin, female
CONNT-24PIN/F	US Std.Connector 24 Pin, female



Housing, mould base A type

Item	Description
HLE25BH	HEATLOCK US Std. Housing, open



Housing, mould base B type

Item	Description
HLE25BHG	HEATLOCK US Std. Housing, open, lid



Hood loom, top exit

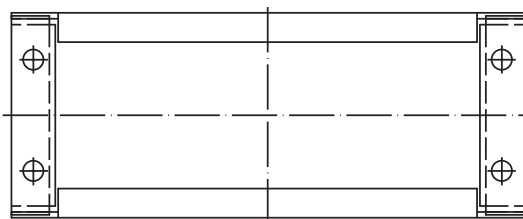
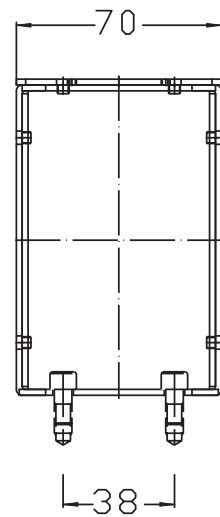
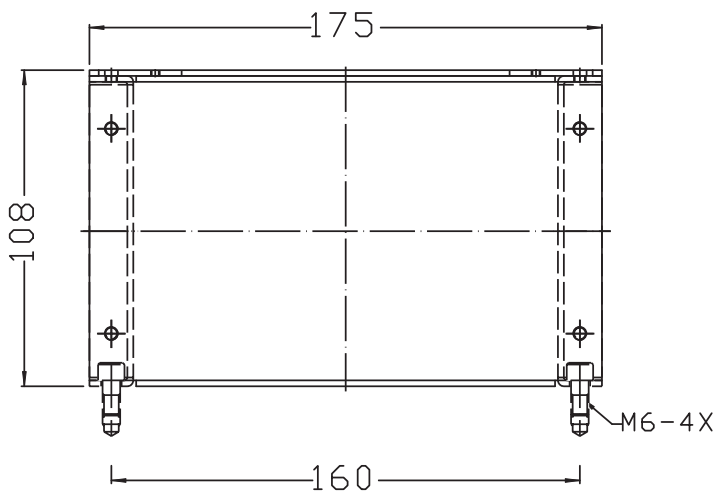
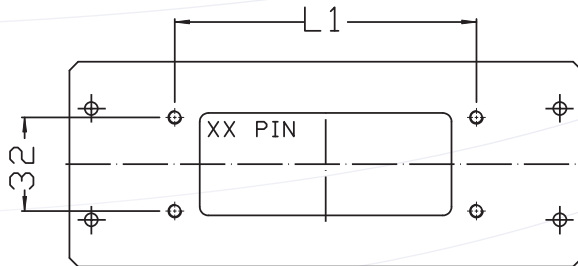
Item	Description
HLE25TEPG21	HEATLOCK US Std. Hood, top exit



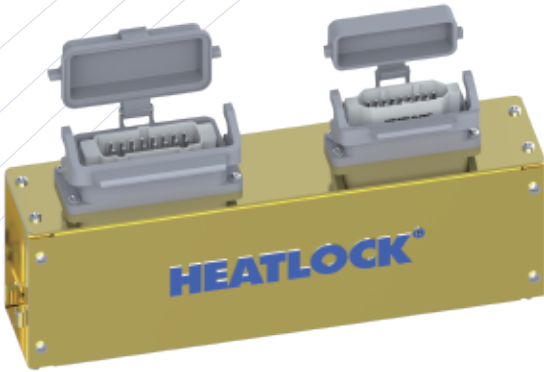
Connector box



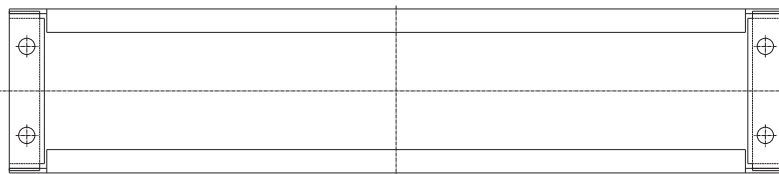
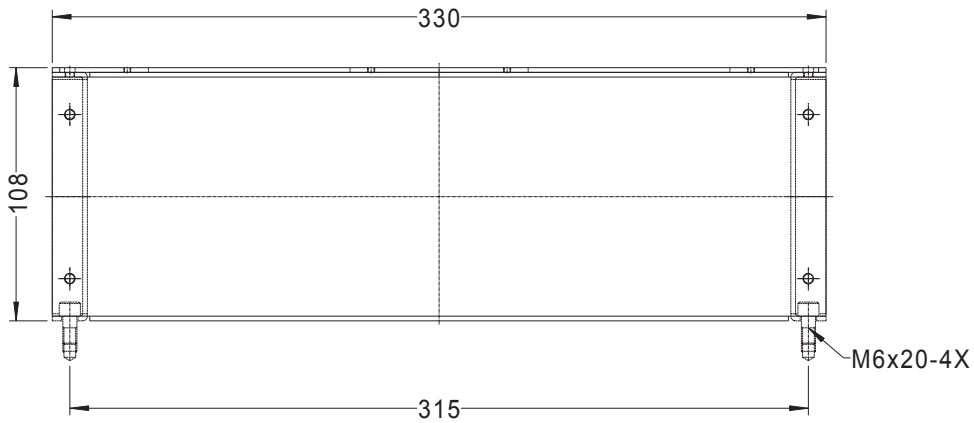
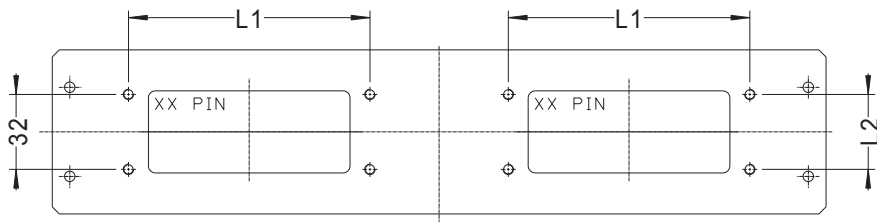
Item code	L1
ACONNB-6PIN	70
ACONNB-10PIN	83
ACONNB-16PIN	103
ACONNB-24PIN	130

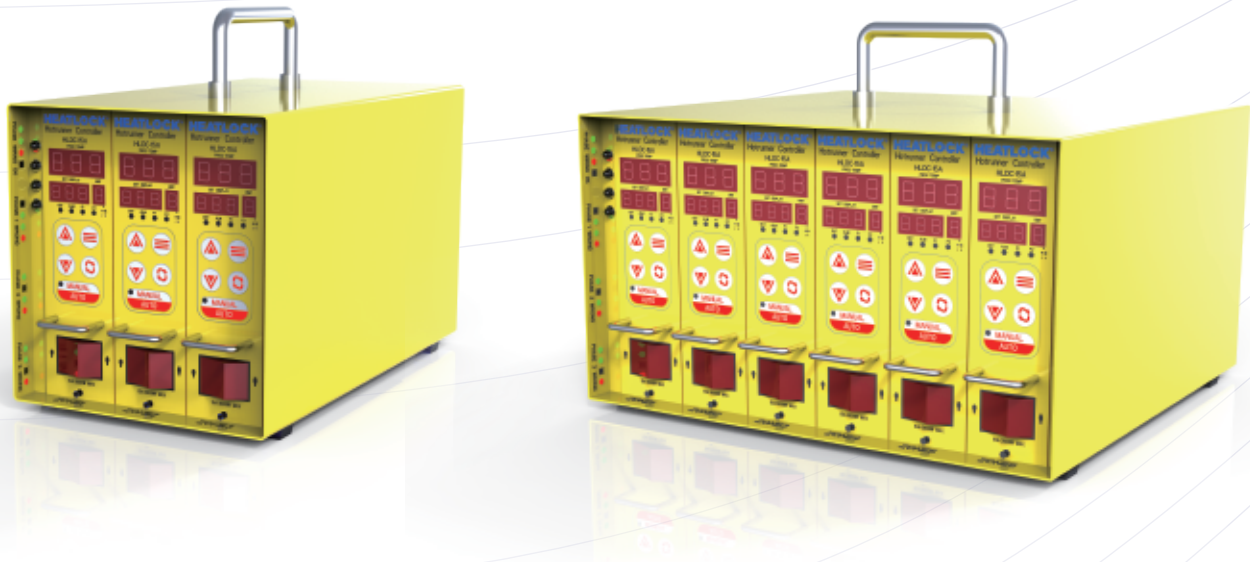


Connector box



Item code	L1	L2
ACONNB-US-10PIN	83	17.5
ACONNB-US-16PIN	103	
ACONNB-US-24PIN	130	
ACONNB-2X16PIN	103	32
ACONNB-2X24PIN	130	
ACONNB-16-24PIN	103/130	





HLDC-3/15	3 zones	15A	include wire and wire connector.
HLDC-6/15	6 zones	15A	include wire and wire connector.
HLDC-10/15	10 zones	15A	include wire and wire connector.
HLDC-12/15	12 zones	15A	include wire and wire connector.

Features:

1. PID control unit, self tuning for accurate temperature control.
2. Automatic soft-start function for circuit protection to prevent heater short cut during start up.
3. Works in either automatic mode or manual % setting power output.
4. Works with J or K type thermocouple, built in alarm functions for open circuit/reversed t/c.
5. Can work with Celsius or Fahrenheit temperature scales.
6. Temperature control accuracy $\pm 1^{\circ}\text{C}$.
7. Max load 15A/3600W at 240Vac .
8. Power supply less than 3 zone 220V 50Hz, more than 3 zones 3 phase 380V 50Hz with built in phase switch protection circuit.
9. Exchangeable modular design according plastic industry standard, exchangeable PCB's.

HEATLOCK®

**Hong Kong:
Heatlock Co Ltd**

Witty Commercial Building, 9-FL, Room 12/F,
1A-1L Tung Choi Street, Mong Kok, KLN, Hong Kong
ph: +852 8120 5469

China PRC:

Ramada Plaza, Room 1108, Building 1, Beijiao Town
Shunde District, Foshan City, Guangdong, PRC
Postal code: 528311
ph: +86 757 2991 5868
fx: +86 757 2991 5860

Order & info:

frontdesk@heatlock.com



To find one of our dedicated Heatlock technology or service centres
please visit our website www.heatlock.com

